

## TECHNICAL DATA SHEET

### MOBILE SHELVES / LLS / Soffite

VERSION - 04.07.2017

Modular lighting system for mobile shelves with aluminum contactors to be installed as per picture configuration. Move the position of your shelves on the brackets without dismantling your electrical installation.

Système d'éclairage modulable pour étagères mobiles, muni de contacteurs en aluminium, à installer suivant la configuration de l'image. Changez la position de vos étagères sur leurs supports sans démonter votre installation électrique.

Schnurloses Beleuchtungssystem für höhenverstellbare Regalelemente mit soliden Aluminium-Schaltern, die wie unten dargestellt installiert werden können. Bewegen Sie ihre Regelelemente in den Halterungen auf und ab, ohne Ihre elektrische Beleuchtungsanlage abzumontieren..



#### STANDARD

Luminaire	LF
Protection Class	IP20
Lighting Source	Soffite - 3Wmax
Connector	Festoon on B'Light conductor 16mm <sup>2</sup>
Length on measure	On request up to 3000mm
Nb Lighting Unit	18 bulb/m
Voltage	24V
Power	54 W/m
Conductor	CCP : Aluminum constant-pressure contactor PCL : Solid Brass conductor 16mm <sup>2</sup>

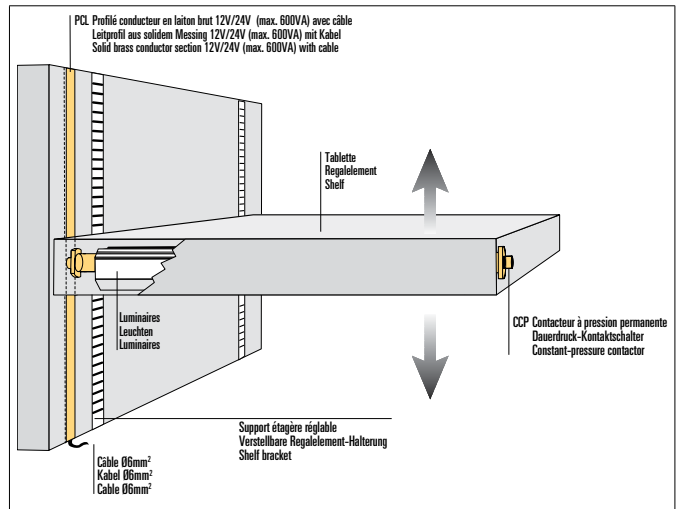
#### ON REQUEST

Fixation	FCP (fixed with screw) FCPS (fixed with tape & screw) (Ht: +2mm)
Dimming Option	1-10V, Dali, KNX <i>Ask technical department for more information</i>

#### LIGHTING SOURCE

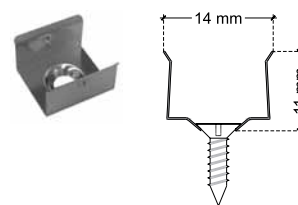
Lighting Source	Soffite Standard
Glass	Clear or Frosted
Power	3W
Voltage	24V
Beam Angle	360°
Color Temperature	2400K
Light Output lm/unit	20lm
Lifetime	1'000h

#### CERTIFICAT

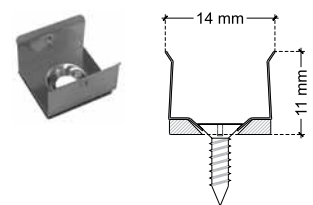


#### ON REQUEST:

##### FCP FIXATION (fixed with screw)



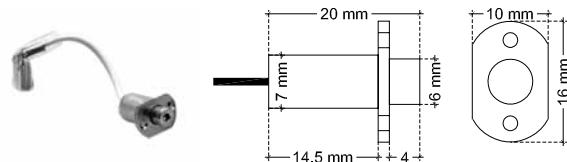
##### FCP-S FIXATION (fixed with tape & screw)



#### CONTACTOR & CONDUCTOR

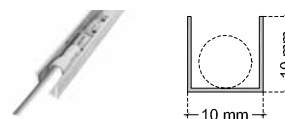
##### CCP - Aluminum Constant Pressure Contactor

50mm Cable 2.5mm<sup>2</sup> - power connectors



##### PCL - Solid Brass Conductor Section 16mm<sup>2</sup>

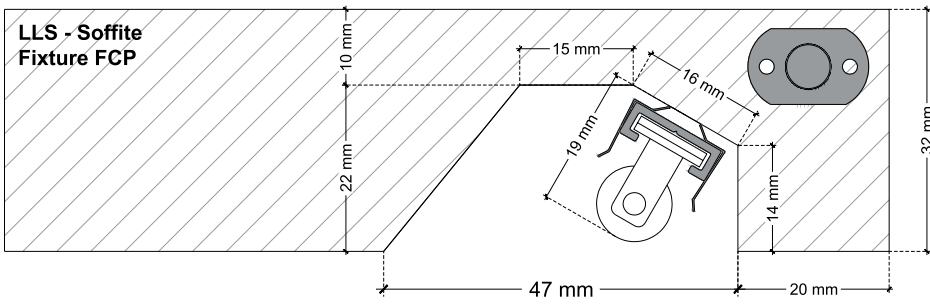
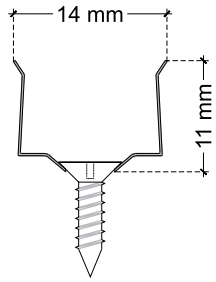
1m Cable 4mm<sup>2</sup>

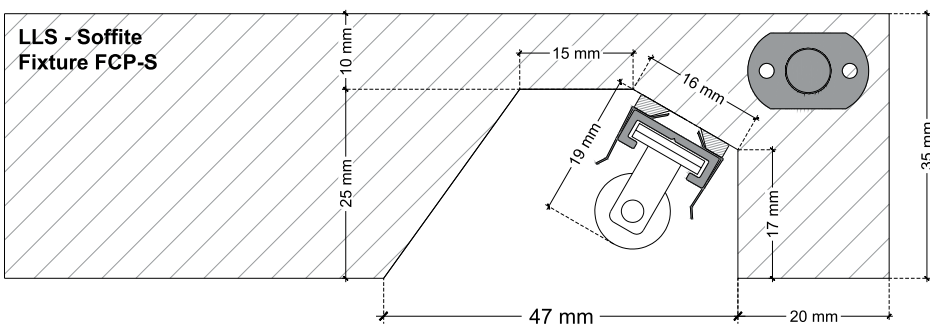


**TECHNICAL DATA SHEET**

**MOBILE SHELVES / EXAMPLE OF INSTALLATION / LLS**

VERSION - 04.07.2017

LUMINAIRE LLS - FESTOON CONNECTOR	FCP FIXATION fixed with screw
 <p>LLS - Soffite Fixture FCP</p>	

LUMINAIRE LLS - FESTOON CONNECTOR	FCPS FIXATION fixed with tape & screw
 <p>LLS - Soffite Fixture FCP-S</p>	