

TECHNICAL DATA SHEET

LU6X-AC IP20 / Xenon

VERSION - 29.04.2016

STANDARD LUMINAIRE

Reference	LU6X-AC			
Protection Class	IP20			
Lighting Source	Xenon			
Connector	Rigid Loop on B'Light conductor 16mm ²			
Dimensions	35 x 39mm			
Standard Length	120 - 495 - 990 - 1485 - 1980mm			
Length on measure	on request up to 3970mm			
Nb Lighting Unit	18 bulbs/m			
Voltage	24V			
Power	3W	5W	8.5W	10W
	54 W/m	90 W/m	153 W/m	180 W/m
Connecting Cable	1m standard cable 2x2.5mm ²			

FINISH

Color Finishing Profil

Standard	Natural Anodised Aluminium
On request	Thermo-Enameling Powder Coating RAL Color Anodising Polished Aluminium Chrome Aspect Polished Aluminium Old Gold Aspect

ON REQUEST

Cover	CRPS / CRPS-2 VSM6
Reflector	RIP
End Caps	ERPS ERPS-N (luminaire length mini 140mm)
Connecting Plug	AMS/AF
Dimming Option	Phase 220V, Dali, KNX <i>Ask technical departement for more information</i>

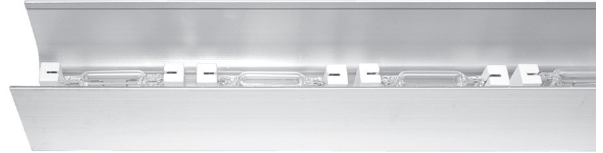
LIGHTING SOURCE

Lighting Source	Xenon Long Life			
Glass	Clear or Frosted			
Power	3W	5W	8.5W	10W
Voltage	24V	24V	24V	24V
Beam Angle	360°	360°	360°	360°
Color Temperature	2300K	2400K	2600K	2500K
Light Output lm/unit	12.6lm	40lm	95lm	90lm
Lifetime	20'000h	20'000h	10'000h	20'000h

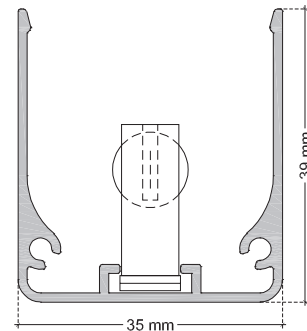
CERTIFICAT



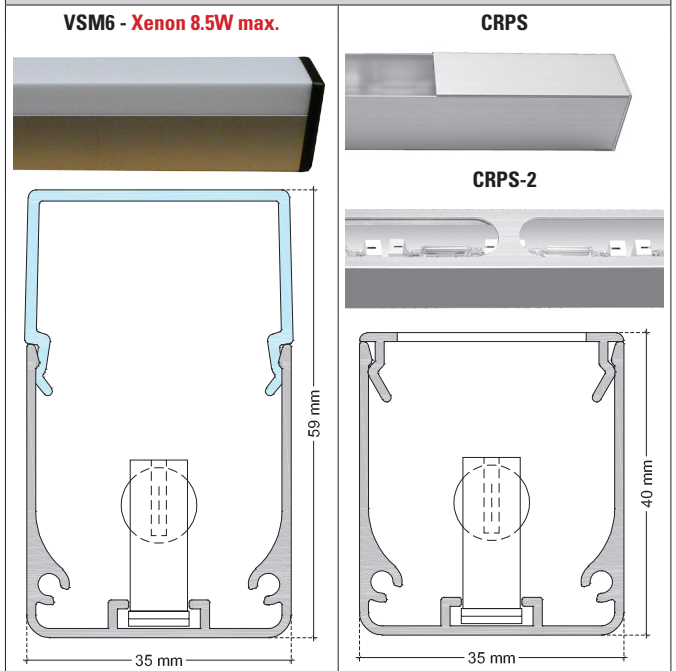
APPLICATION: Corniches, Wall and Frontal Lighting



LU6X-AC / Xenon - Rigid Loop



ON REQUEST: LU6X-AC Cover



ON REQUEST: LU6X-AC End Caps

