

TECHNICAL DATA SHEET

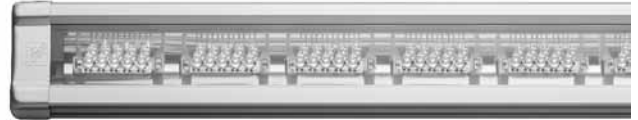
LLNAL IP65 / Aga-Led® Type A

VERSION - 13.11.0215

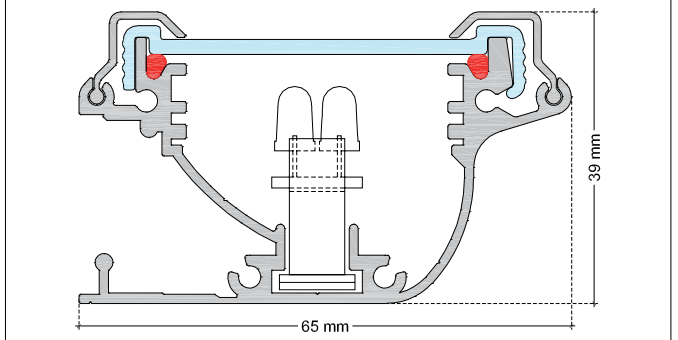
STANDARD LUMINAIRE

Reference	LLNAL
Protection Class	IP65
Lighting Source	Aga-Led® Type A
Connector	Rigid Loop on B'Light conductor 16mm ²
Dimensions	65 x 39mm
Length standard	490 - 985 - 1480 - 1975mm
Length on measure	on request up to 2965mm
Nb Lighting Unit	17 LED/m
Voltage	24V
Power	17 W/m
Connecting Cable	Both Side: 20cm standard cable 2x2.5mm ²
End Caps	EV

APPLICATION: FACADE LIGHTING



LLNAL / AGA-LED® TYPE A - Rigid Loop



FINISH

Color Finishing Profil

Standard	Natural Anodised Aluminium
On request	Thermo-enameling Powder Coating RAL Color Anodising Polished Aluminium Chrome Aspect Polished Aluminium Gold Aspect

Glass Finishing

Standard	VP: Clear Glass
On request	VPO: Opaline

ON REQUEST

Fixation	FLP Series
Other	AP : Anti-Pigeon Protection (Ht: +58mm)
Connecting Plug	AMS / AF or AMS-E / AF-E (IP68)
Dimming Option	1-10V, DALI, KNX <i>Ask technical department for more information</i>

LIGHTING SOURCE

Lighting Source	Aga-Led® Type A
Ref	A10
Voltage	24V
Power	1W
Beam Angle	15°
CRI	80
Lifetime	60'000h
Working T°	-30°C ~ +55°C
Option	AGC: Anti Glare Optic



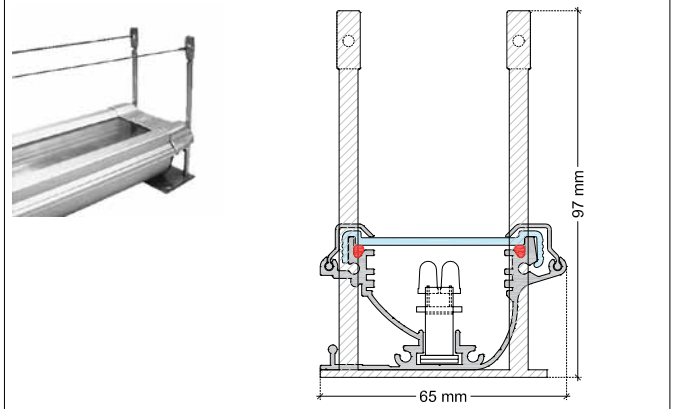
Color Temperature & Luminous Flux / Unit

CCT	2800K	4000K
Luminous Flux/Unit	40 lm	45 lm

CERTIFICAT



ON REQUEST: Anti Pigeon protection



ON REQUEST: Connecting Plug

