

TECHNICAL DATA SHEET

RMSO / Aga-Led® Type BUR

VERSION - 18.07.2017

STANDARD LUMINAIRE

Reference	RMSO
Protection Class	IP20
Lighting Source	Aga-Led® BUR
Dimensions	ø68 x Ht.45mm
Cut-Out	ø51mm
Voltage	24V: Non Dimmable 12V: Dimmable
Power	1.8W
Connecting Cable	50cm standard cable 2x1.5mm ²

APPLICATION: Showcase, Art, Sculpture, Museums, Shelves lighting,



FINISH

Color Finishing Profil

Standard	Natural Anodised Aluminium
On request	Thermo-Enameling Powder Coating RAL Color Anodising Polished Aluminium Chrome Aspect Polished Aluminium Gold Aspect

ON REQUEST

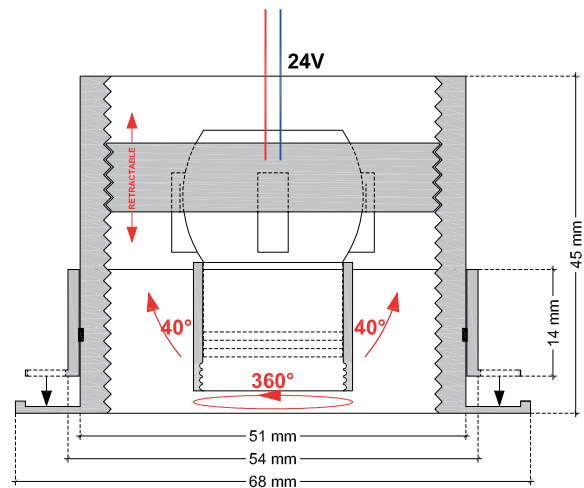
Dimmable	12V Only (1-10V, Dali, KNX) Ask technical departement for more information
----------	---

LIGHTING SOURCE

Ref	Aga-Led® BUR
Voltage	24V: Non Dimmable 12V: Dimmable
Power	1.8W
Beam Angle	14°
CRI	80
Lifetime	50'000h
Working T°	-20°C ~ +40°C



RMSO / Aga-Led® BUR

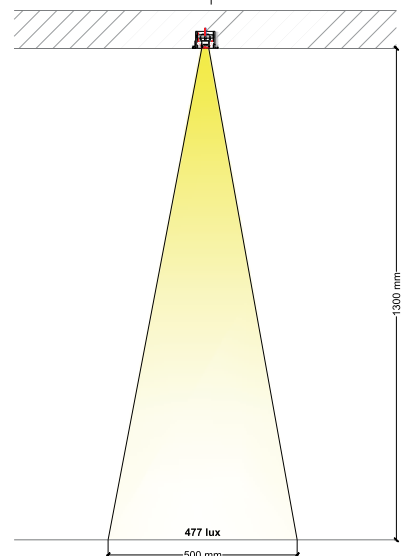


Color Température & Luminous Flux / Unit

	2200K	4000K
Aga-Led® BUR	74 lm	114 lm

SPECTROMETRE UPRtek MK350

Lighting Source	1 x Aga-Led BUR, 2200K, 1.8W, 24V	
Color Temperature	2195K	CRI 83
Measurement distance	1.3m	Illuminance 477 lux



CERTIFICAT



AGABEKOV



AGABEKOV SA Manufacture 6, ROUTE DE COMPOIS
CH-1222 VÉSENAZ - GENEVA - SWITZERLAND
Tel. +41 22 752 47 45 Fax. +41 22 752 37 08
E - mail: info@aaabekov.com



AGABEKOV SA Bureau d'etudes 6, ROUTE DE COMPOIS
CH-1222 VÉSENAZ - GENEVA - SWITZERLAND
Tel. +41 22 752 47 45 Fax. +41 22 752 37 08
Internet: www.aaabekov.com

