

TECHNICAL DATA SHEET

LU6AL IP20 / Aga-Led® Type B

VERSION - 02.09.2015

STANDARD LUMINAIRE

Reference	LU6AL
Protection Class	IP20
Lighting Source	Aga-Led® Type B
Connector	Rigid Loop on B'Light conductor 16mm ²
Dimensions	35 x 39mm
Standard Length	120 - 495 - 990 - 1485 - 1980mm
Length on measure	on request up to 2970mm
Nb Lighting Unit	17 LED/m
Voltage	24V
Power	20.4 W/m
Connecting Cable	1m standard cable 2x1.5mm ²

FINISH

Color Finishing Profil

Standard	Natural Anodised Aluminium
On request	Thermo-Enameling Powder Coating RAL Color Anodising Polished Aluminium Chrome or Gold Aspect

ON REQUEST

Cover	CRPS (Ht:+1mm) VSM6: Opaline Glass (Ht:+20mm)
End Caps	ERPS ERPS-N (luminaire length mini 140mm)
Connecting Plug	AMS / AF
Dimming Option	1-10V, Dali, KNX <i>Ask technical departement for more information</i>

LIGHTING SOURCE

Lighting Source	Aga-Led® Type B - Generation 2				
Ref	B2	B3	B4	B6	
Voltage	24V	24V	24V	24V	
Power	1.2W	0.96W	1.2W	1.2W	
Beam Angle	120°	120°	120°	120°	
CRI	80	80	80	80	
Color Temperature	lm/Unit				
	2000K	40 ~ 68	40 ~ 82	46 ~ 78	70 ~ 118
	2400K	48 ~ 81	58 ~ 97	55 ~ 93	83 ~ 140
	2800K	68 ~ 114	82 ~ 137	66 ~ 111	99 ~ 166
	4000K	68 ~ 114	82 ~ 137	66 ~ 111	99 ~ 166
Lifetime / L70 at 25°	50'000h / 36'000h				
Working T°	-20°C to +45°C				
Environmental protection	Modified acrylate resin				

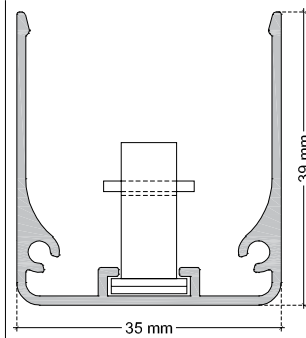
CERTIFICAT



APPLICATION: Walls, Frescoes



LU6AL / AGA-LED® TYPE B - Rigid Loop

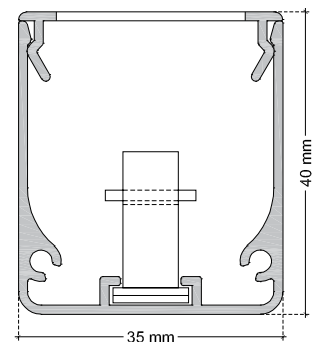
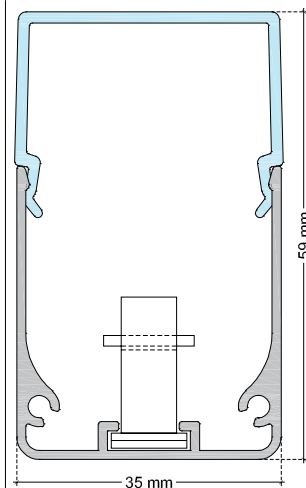


LU6AL COVER

VSM6



CRPS



LU6AL END CAPS

ERPS



ERPS-N

